

SLUGGER SL

Automatic Slug Loading of Thin, Consistent Product

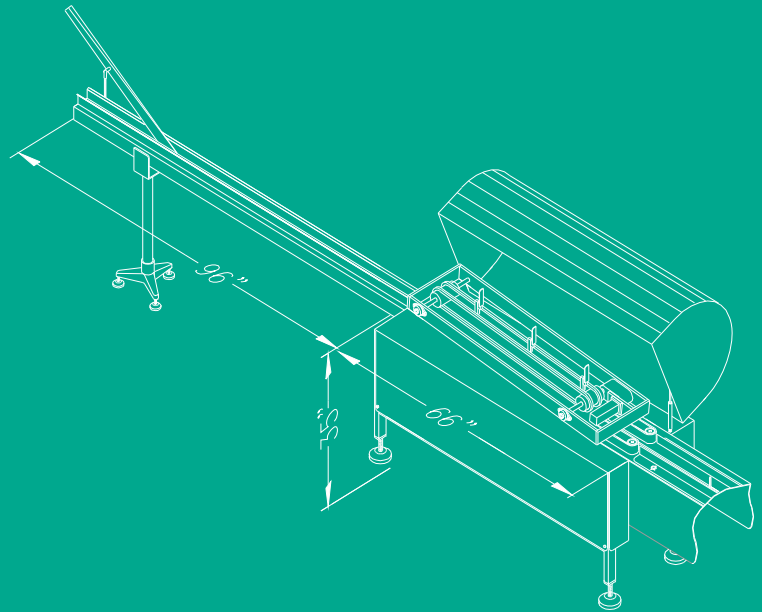
Benchmark's® Slugger SL delivers precise slug measuring and loading from a single lane of on-edge product. The Slugger SL mounts in-line with an on-edge horizontal wrapper and loads slugs of product directly into the continuous motion wrapper flights at speeds up to 150 slugs per minute. Operators load groups of on-edge product into a single gravity chute. This loader is ideal for high-speed slug loading without the cost of an elaborate, dedicated distribution system. The Slugger SL incorporates the latest controls and a sturdy design into a ruggedly dependable machine built for efficient operation. Scheduled maintenance is made easy with minimal moving parts and easy access to key components. The Slugger SL reduces labor cost and minimizes repetitive motion while allowing higher wrapper speeds. ROI is typically under a year.

FEATURES AND BENEFITS

- Efficient, reliable operation
- Hand or automatic feeding
- Intuitive operation
- Maintenance friendly
- Easy to clean
- No painted surfaces
- Short term ROI
- Stainless steel frame and guards
- Floating measuring pins
- Contoured side transfer belts
- Hinged Lexan guard for high visibility and easy access
- Phasing for overhead chain, side belts and wrapper while running

TYPICAL PRODUCT DIMENSIONS**Length:** 4"-24"**Width:** 1"-4"**Height:** 1"-4"**Speed:** Up to 150 slugs/minute based on product dimensions**SPECIFICATIONS****Power:** 230V, 3PH, 60HZ. 15A**Controls:** Independent servomotor drives for pin chain and belt conveyor.**OPTIONS**

- Quick change overhead chain assemblies for multiple slug lengths

CONFIGURATION**CONSTRUCTION**

Our rugged design and attention to detail results in long equipment life. Using stainless steel construction throughout, this feeder is built to perform year after year. Paint free surfaces eliminate the concern of product contamination caused by flaking or chipping.

EASY TO OPERATE

Operators hand load a single gravity chute with groups of on-edge product. The Slugger SL electronically follows wrapper position. Phasing for overhead chain, side belts and wrapper is easily adjusted while running.

LOW MAINTENANCE DESIGN

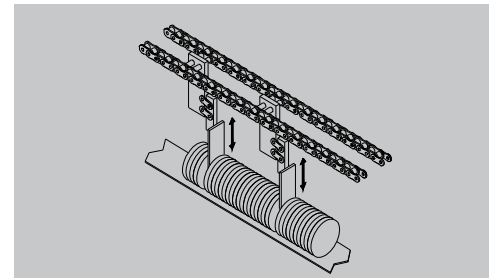
The Slugger SL is designed for easy maintenance and sanitation with minimal parts that are easily accessible.

SHORT TERM ROI

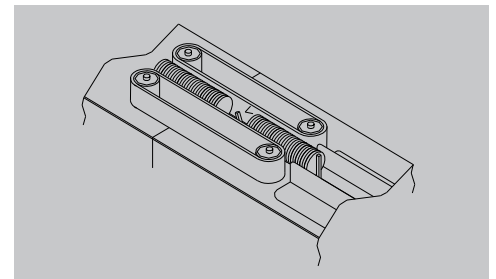
The Slugger SL offers high speed slug loading while reducing labor cost and repetitive motion. Low capital cost coupled with minimal installation typically results in a return on investment of under a year.

KEY FEATURES

The Slugger SL provides reliable operation without product damage. Slugs are measured with a floating pin and transferred in-line to the on-edge horizontal wrapper with contoured side belts.



Floating measuring pin gently enters a continuous lane of on-edge product without causing damage.



Contoured side belts keep leading and trailing products upright during transfer into the spring loaded wrapper flights.