



InFlight BL

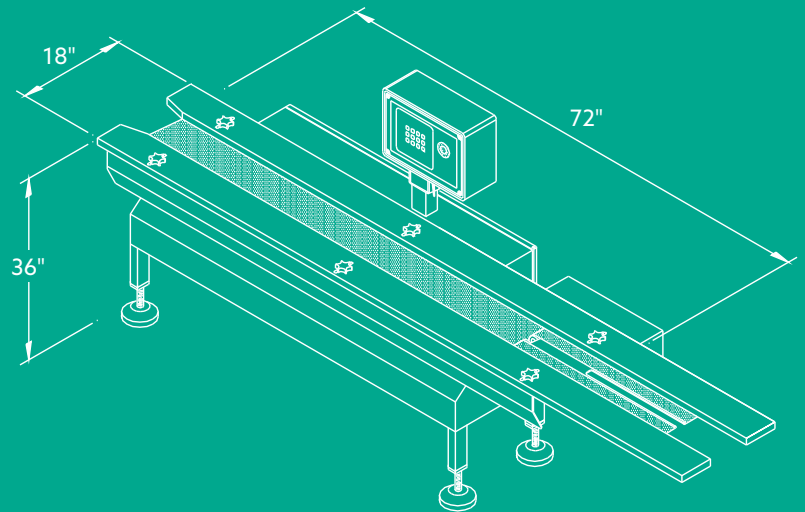
Automatic Loading of Backlogged Product

Benchmark's® InFlight BL feeder delivers precise, continuous motion loading of backlogged trays or products into the flights of a horizontal wrapper or cartoner at speeds up to 300 ppm. The InFlight BL feeder incorporates the latest controls and a robust design into a ruggedly dependable machine built for efficient operation. Operator friendly software and diagnostics on the touchscreen interface minimize changeovers and downtime. Scheduled maintenance is made easy with a fully cantilevered design for access and quick change out of endless belts. The InFlight BL feeder eliminates the need for repetitive hand loading with an ROI that is typically under a year.



FEATURES AND BENEFITS

- Efficient, reliable operation
- Quick, easy changeovers
- Intuitive operation
- Maintenance friendly
- Easy to clean
- No painted surfaces
- Short term ROI
- Adjustable side guides
- 304 stainless steel frame and guards
- Quick change of endless belts
- Cantilevered design for easy cleaning and maintenance
- Self diagnostics and "online" help via touchscreen

TYPICAL PRODUCT DIMENSIONS**Length:** 3"-24"**Width:** 3"-8"**Height:** Based on product width**Speed:** Up to 300 ppm based on product dimensions**SPECIFICATIONS****Power:** 230V, 3PH, 60HZ, 15A**Controls:** Touchscreen operator interface, Allen Bradley controller, servo motor drive on timing belt and split belt transfer.**CONFIGURATION****CONSTRUCTION**

Our rugged design and attention to detail results in long equipment life. Using stainless steel construction throughout, this feeder is built to perform year after year. Paint free surfaces eliminate the concern of product contamination caused by flaking or chipping.

EASY TO OPERATE

Intuitive operator interface and the latest controls result in accurate, efficient loading with minimal training.

FLEXIBILITY

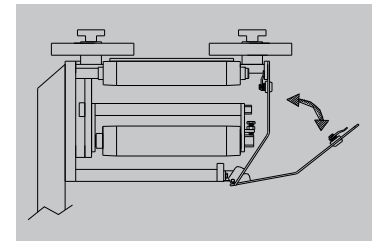
The InFlight BL is designed to make changeovers quick and easy. Most product changes can be performed without tools and completed in less than 5 minutes.

SHORT TERM ROI

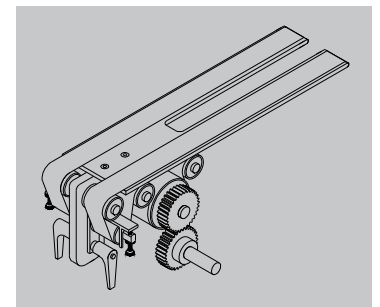
Low capital cost coupled with minimal installation typically results in a return on investment of under a year.

LOW MAINTENANCE DESIGN

The InFlight BL is designed to minimize maintenance and sanitation time. Key components are easily accessible.



Hinged guards and cantilevered design provide access for maintenance and sanitation.



Modular design allows split belt assembly to be quickly removed for belt replacement or scheduled maintenance.